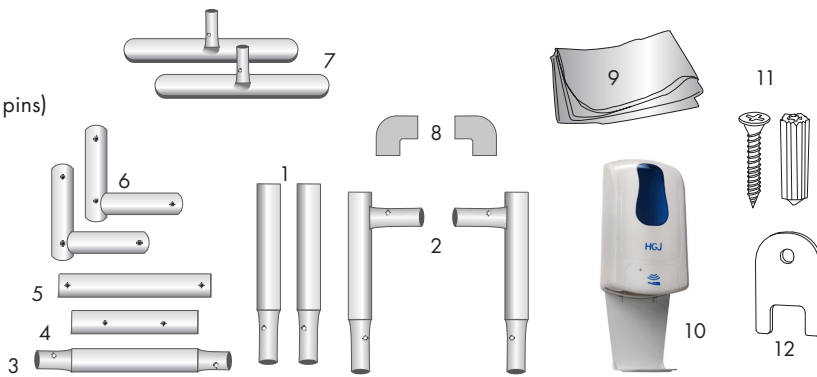


# Eurofit Tabletop Sani-Station

## Product Parts

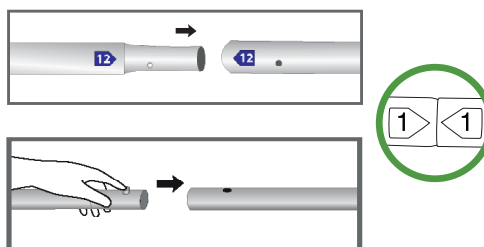
1. Lower Vertical Poles (x2)
2. Upper Vertical Poles(x2)
3. Lower Horizontal Pole (x1)
4. Center Horizontal Pole (x1)(Has mounting pins)
5. Upper Horizontal Pole (x1)
6. Bottom Corners (x2)
7. Feet (x2)
8. Top Corners (x2)
9. Graphic
10. Touch-Free Sanitizer
11. Mounting Hardware (x4 ea)  
(Not for mounting to Display)
12. Key



## Display Set-Up

### Step 1

Assemble all the poles (1 through 8) by connecting the corresponding numbers together while pressing the snap button as shown. The Center Horizontal Pole (4) will have mounting pins for the Touch-Free Sanitizer already assembled into it.

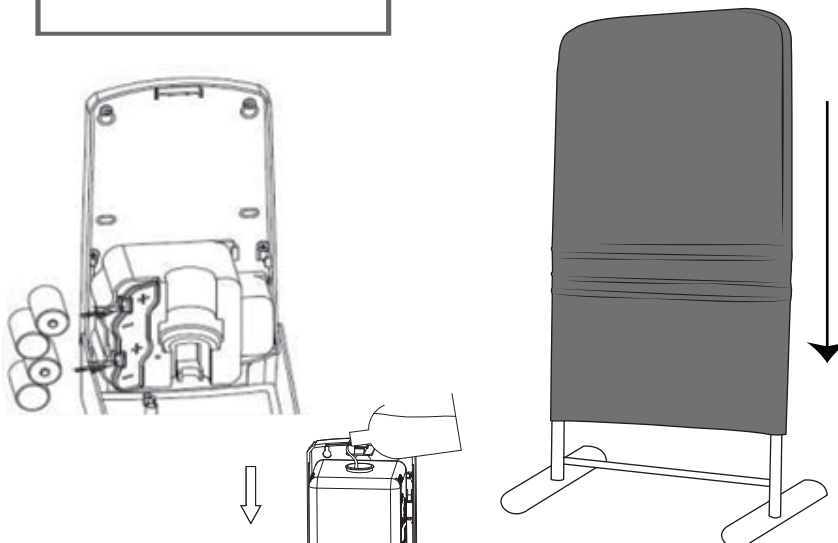


### Step 2

Drape the Graphic (9) over the hardware with the two holes near the center of graphic on the same side as pins on Center Horizontal Pole (4). Pull the Graphic (9) down until it reaches the feet (7).

### Step 3

Locate pins on Center Horizontal Pole (4) and gently push through holes on Graphic (9).



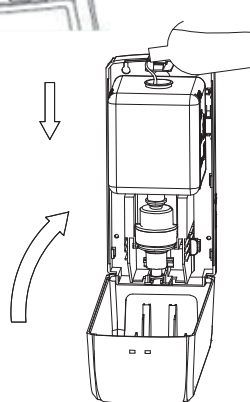
## Touch-Free Sanitizer Set-Up

### Step 1

Use the Key (12) to press down on tabs to unlock front cover. Insert four C sized batteries (**NOT INCLUDED**).

### Step 2

Remove cap from liquid reservoir and fill with your favorite hand sanitizer (**NOT INCLUDED**). Replace cap and close front cover.



### Step 3

Align holes on back plate to screws on Center Horizontal Pole (4) and lock in place.

## Optional

Touch-Free Sanitizer comes with Optional Mounting Hardware (11) to allow user to hang elsewhere.

## Storage & Care

Place display parts in Carry Case (included) and store in a cool dry location. Recommended for indoor use only. Machine wash on gentle cycle using mild detergent. Tumble Dry Low Heat. Do NOT dry clean, Do NOT iron.

**DO NOT USE** homemade formulas of sanitizer. For further guidance on sanitizer solutions go to <https://www.fda.gov/media/136289/download> the FDA's guidance on sanitizer products.